

# Boer Medical

Profession&Focus Creates Excellence

Disposable Laparoscopic Instruments



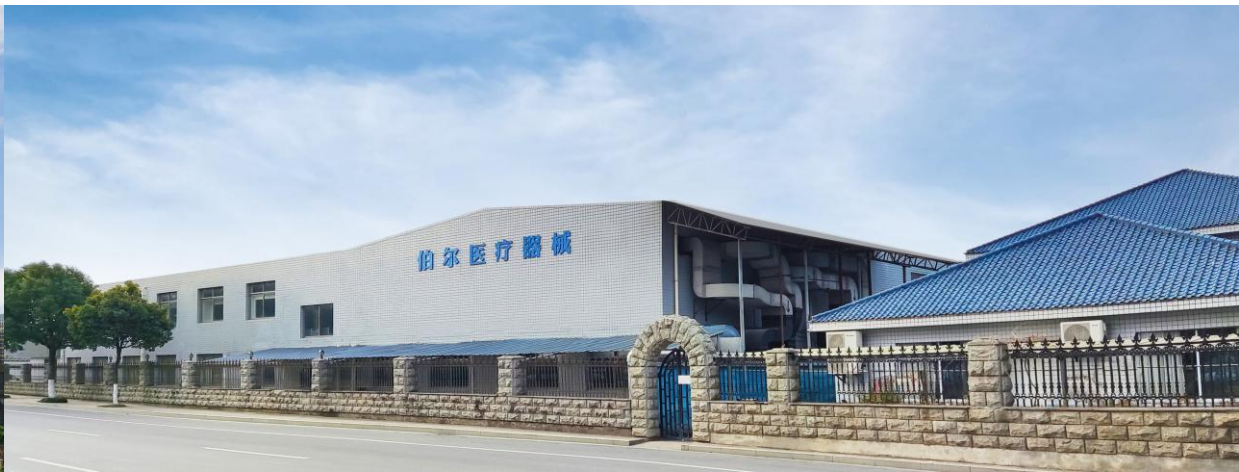
## A Trustworthy Manufacturer of Disposable Surgical Instruments

Boer, a professional manufacturer and supplier engages in R&D, design, production and sales of a diverse portfolio of disposable minimally invasive surgical (MIS) instruments which already get ISO13485 & CE certificate. We offer product range from laparoscopic trocar, laparoscopic forceps/scissors, veress needle, suction irrigation tube, to specimen retrieval bag and other disposable surgical instruments.

We ensure the products for safety, reliability, practicality and effectiveness with craftsmanship spirit under rigorous quality management system. We consistently provide qualified products and customized service to all surgeons, patients and partners, and insist on our philosophy of "Profession & Focus creates Excellence", keeping our mission to minimize trauma and infection risk for patients, and aiming to build Boer to be trustworthy manufacturer and leading enterprise in Minimally Invasive Instruments.

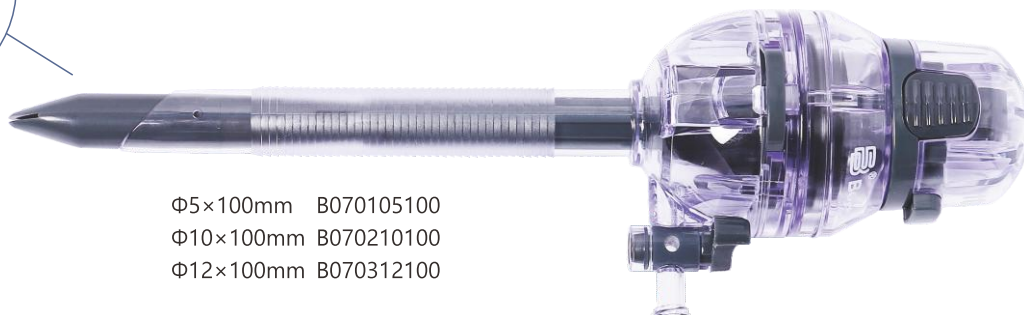
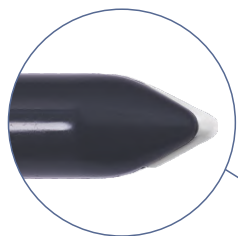


Headquarter



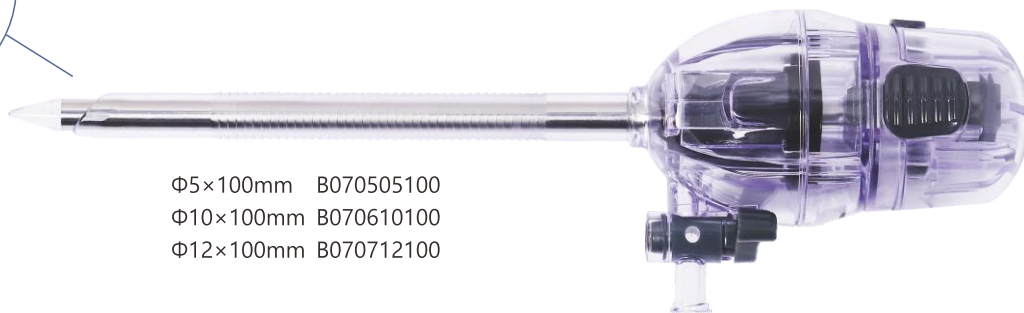
Factory

## Disposable Trocar (Auto-Shield)



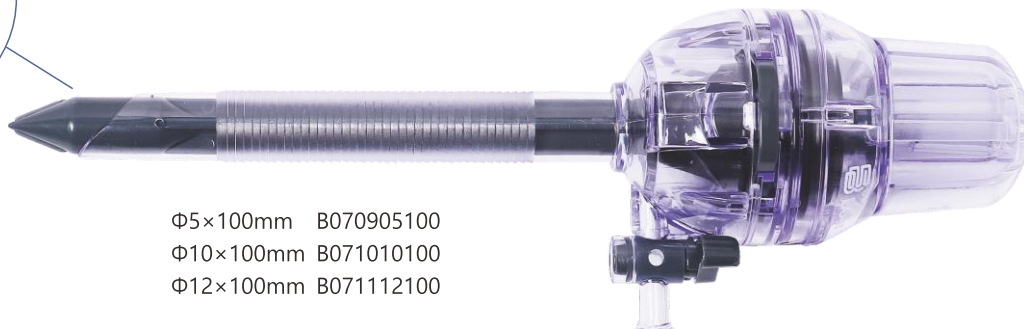
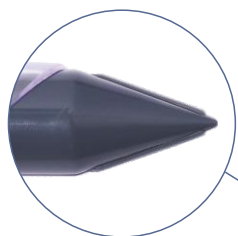
Φ5×100mm B070105100  
Φ10×100mm B070210100  
Φ12×100mm B070312100

## Disposable Trocar (Optical)



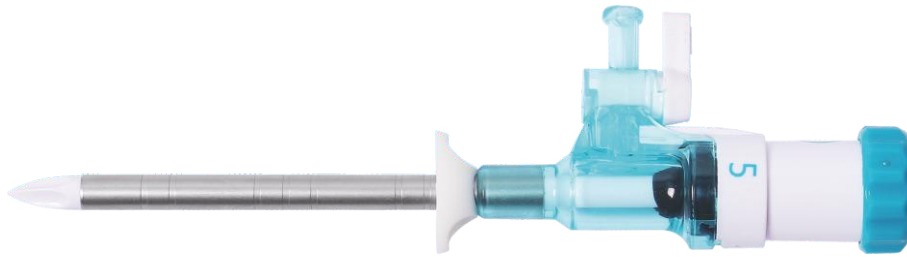
Φ5×100mm B070505100  
Φ10×100mm B070610100  
Φ12×100mm B070712100

## Disposable Trocar (Bladeless)



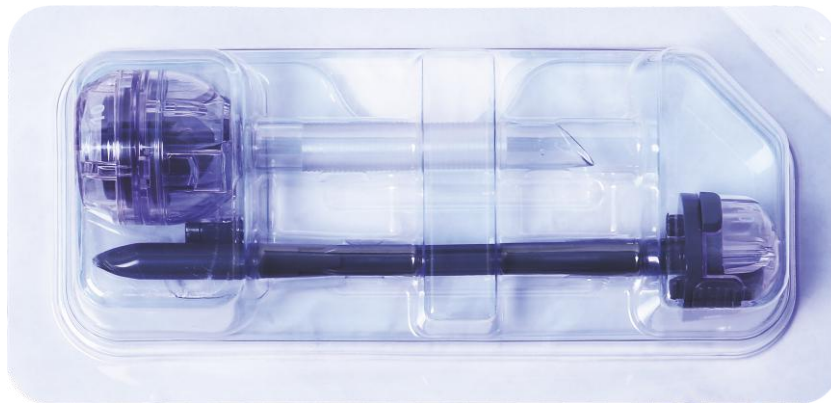
Φ5×100mm B070905100  
Φ10×100mm B071010100  
Φ12×100mm B071112100

## Disposable Trocar (Pediatric)

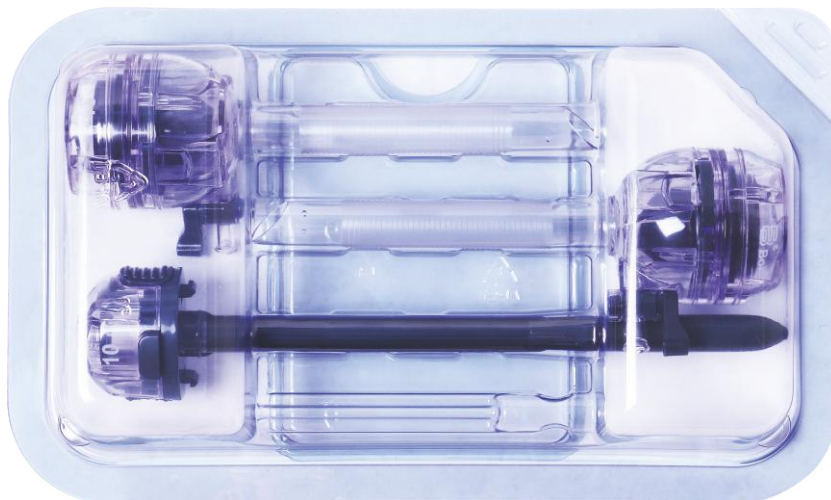


Φ3×45mm B071303045  
Φ5×65mm B071405065

One pc puncture needle/One pc cannula



One pc puncture needle/Two pcs cannulas



For other packaging specification, please contact us.

## Disposable Electrosurgical Instruments



## Product Configuration Table

Head	Code	Type	Dimension
	B040105330	Unipolar Curved Scissors	Φ5×330mm
	B040205330	Unipolar Straight Scissors	Φ5×330mm
	B040405330	Unipolar Highly Insulated Curved Scissors (Blade length 17mm)	Φ5×330mm
	B041005330	Unipolar Curved Maryland Dissecting Forceps	Φ5×330mm
	B041405330	Unipolar Right Angle Dissecting Forceps	Φ5×330mm
	B042005330	Unipolar Clinch Grasping Forceps	Φ5×330mm
	B042505330	Unipolar Fenestrated Johan Grasping Forceps (Jaw length 17mm)	Φ5×330mm
	B042605330	Unipolar Fenestrated Johan Grasping Forceps (Jaw length 22mm)	Φ5×330mm
	B042705350	Unipolar Fenestrated Johan Grasping Forceps (Jaw length 35mm)	Φ5×350mm
	B043105330	Unipolar Single Action Fenestrated Johan Grasping Forceps (Jaw length 22mm)	Φ5×330mm
	B043205350	Unipolar Single Action Fenestrated Johan Grasping Forceps (Jaw length 35mm)	Φ5×350mm
	B043505330	Unipolar Allis Grasping Forcep	Φ5×330mm
	B043805330	Unipolar Atraumatic Grasping Forceps	Φ5×330mm
	B044005330	Unipolar Claw Grasping Forceps	Φ5×330mm
	B044305330	Unipolar Babcock Grasping Forceps	Φ5×330mm
	B048005330	Bipolar Coagulation Forceps	Φ5×330mm

## Disposable Knot Pusher



Φ5×450mm B120105450

## Blunt Tip Dissector



Φ5×450mm B110105450

## Disposable Veress Needle



Φ2.1×120mm B090102120

Φ2.1×150mm B090202150

## Disposable Specimen Retrieval Bag



Φ10×200mm B080210200

Φ10×400mm B080310400

## Disposable Unipolar Hook Electrode



Disposable Unipolar Scoop Electrode  
Φ5×330mm B049605330



Disposable Unipolar Needle Electrode  
Φ5×330mm B049705330



Disposable Unipolar L-Hook Electrode  
Φ5×330mm B049505330

## Disposable Suction Irrigation Sets

Φ5×330mm B100105330



## Disposable Endoscopic Linear Cutting Stapler and Reload Unit



Reload unit



30×2.5A B13B13025A	30×3.0B B13B13030B
30×3.5A B13B13035A	30×4.0B B13B13040B
30×4.8A B13B13048A	30×5.0B B13B13050B
45×2.5A B13B14525A	45×3.0B B13B14530B
45×3.5A B13B14535A	45×4.0B B13B14540B
45×4.8A B13B14548A	45×5.0B B13B14550B
60×2.5A B13B16025A	60×3.0B B13B16030B
60×3.5A B13B16035A	60×4.0B B13B16040B
60×4.8A B13B16048A	60×5.0B B13B16050B

Disposable endoscopic linear cutting stapler  
 Φ12×60 B13A112060  
 Φ12×160 B13A112160  
 Φ12×260 B13A112260

## Clip Applier & Titanium Ligation Clip



clip applier ,single-action  
 S Φ5×330 B210105330  
 M Φ10×330 B210210330  
 L Φ10×330 B210310330



clip applier ,double-action  
 S Φ5×330 B210405330  
 M Φ10×330 B210510330  
 L Φ10×330 B210610330



clip applier ,90°  
 S Φ5×330 B210705330  
 M Φ10×330 B210810330  
 L Φ10×330 B210910330



Titanium Ligation Clip (L) B030400004  
 Titanium Ligation Clip (ML) B030300003  
 Titanium Ligation Clip (M) B030200002  
 Titanium Ligation Clip (S) B030100001

## Clip Applier & Polymer Ligation Clip



Clip Applier(L)  
 Φ10×330 B211310330



Clip Applier(M)  
 Φ10×330 B211210330



Clip Applier(S)  
 Φ5×330 B211105330



Polymer Ligation Clip(L)  
 B031300013



Polymer Ligation Clip(M)  
 B031200012



Polymer Ligation Clip(S)  
 B031100011